

# PROTOCOL

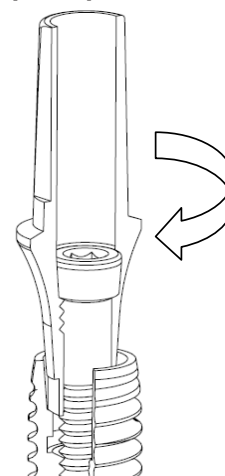
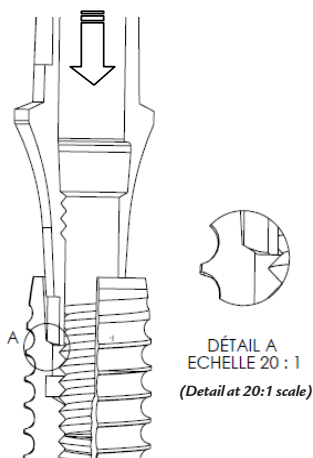
## Prosthetic Abutment Insertion Protocol M and Z1-M Implant

- **ADVANTAGES :**
- Facilitates the insertion of the abutment into the implant
  - Helps avoid any alteration of the implant and prosthetic connections

### ABUTMENT INSERTION PROTOCOL

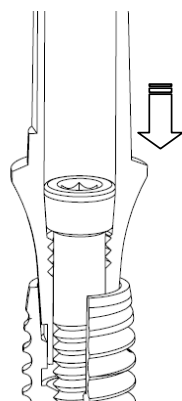
➤ **METHOD:**

- **Nb:** *The protocol is the same for the use of a screw-retained transfer (pop-in or pick-up)*



- 1** Insert the screw into the abutment and partially screw it into the implant by using the screwdriver.

When the abutment reaches the bottom of the morse taper the indexation can start.



- 3** Complete the screwing in order to activate the implant-abutment morse taper

- 2** Carefully turn the abutment around its axis without forcing until it is inserted in the hexagonal implant connection, according to the chosen indexation.

- **Nb :** *different screws according to the gingival height for M abutments.*

- For abutments with 0.7 mm and 0 mm gingival height:

M-MT300 / 301 / 302  
M-MT400 / 401 / 402  
M-MT500 / 501 / 502

M-MTN300 / 301 / 302  
M-MTN400 / 401 / 402  
M-MTN500 / 501 / 502

M-MS307 / 407 / 507  
M-MSN300 / 400 / 500  
M-MSNR300 / 400 / 500  
M-MSR307 / 407 / 507

VIM051 screw  
(short screw)

The M prosthetic abutments not listed above (beside conical abutments) are to be used with **VIM064 screws** (long screws).